

Hotech Edge Ltd safely networks safes with ZigBee!

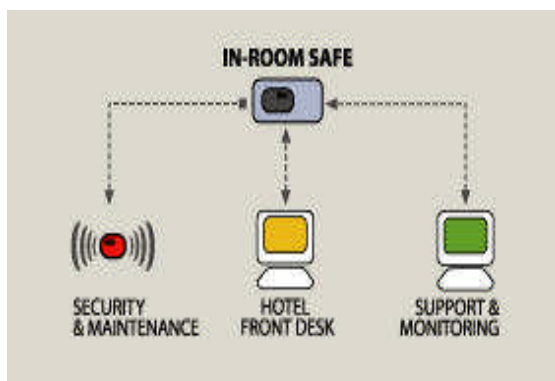
Hotech Edge is the first company in the world to use ZigBee wireless networking technology to enable and operate guest safe solutions. Hotech has designed and built two interoperable safe solutions for use in public buildings and hotels.

Guardian+™ hotel safes are ZigBee enabled and managed over a wireless network system. Hotel guests lock and unlock their room safes with their own four digit PIN number.

The safe sends a message to the PC at the reception desk via a hardwired ZigBee backbone.

The safe system is interfaced with the hotels property management system. If guests choose to use their safe, a daily fee is automatically posted to their bill.

The simple to use safe management software provides front desk staff with real time, critical safe information.



In tandem with **Guardian+™** Hotech Edge has also introduced parallel brand **bsafe™** which is a private digital safe system for installation in reception areas of hotels and banks or in separate guest rooms. These safes are managed over the ZigBee network allowing staff to activate safes and authorise use via their own PC.

Safe users pay in advance for the use of a safe for a rental period. The system automatically permits use of the safe for the rental period.

Customer Profile

HOTECH With-the-Edge is the first company in the world to empower it's safes with ZigBee wireless technology.

Telegesis Products

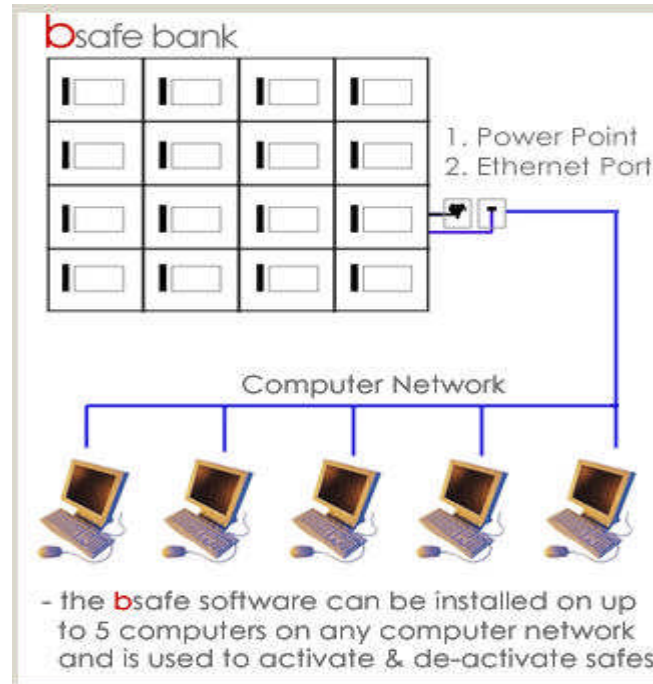
- Ember ZigBee Mesh Networking
- ETRX2 modules

Technology Solution

Hotech Edge Ltd provides private guest safe solutions and technologies to Hotels, Student Accommodations and Hostels.

The **Guardian+™** and **bsafe™** hotel safe systems set new bench marks for security, reliability and guest service. The systems monitor and manage room safes over secure wireless ZigBee networks. Safes are rented to guests through software on reception desk PC's. Hoteliers benefit from automated billing, online maintenance and support, and real-time safe reports on front desk PC's.

Customers use their own PIN number to lock and unlock the safe which they can do as often as they wish during the rental period. Hotech Edge offers an outright safe purchase option and a revenue sharing option to interested parties in which the safe infrastructure, **Guardian+**™ software package and all maintenance and support is provided free of charge.



“The only way that we could produce our product was to use ZigBee radio technology,” says Hotech Operations Director – Geoff Wales. “We needed a robust wireless technology that could be retrospectively fitted into existing buildings and existing infrastructure at low cost. ZigBee was the only wireless technology that could have done the job.”

Hotech Edge has used Ember ZigBee mesh networking technology and ETRX2 modules from Telegesis in building their systems.